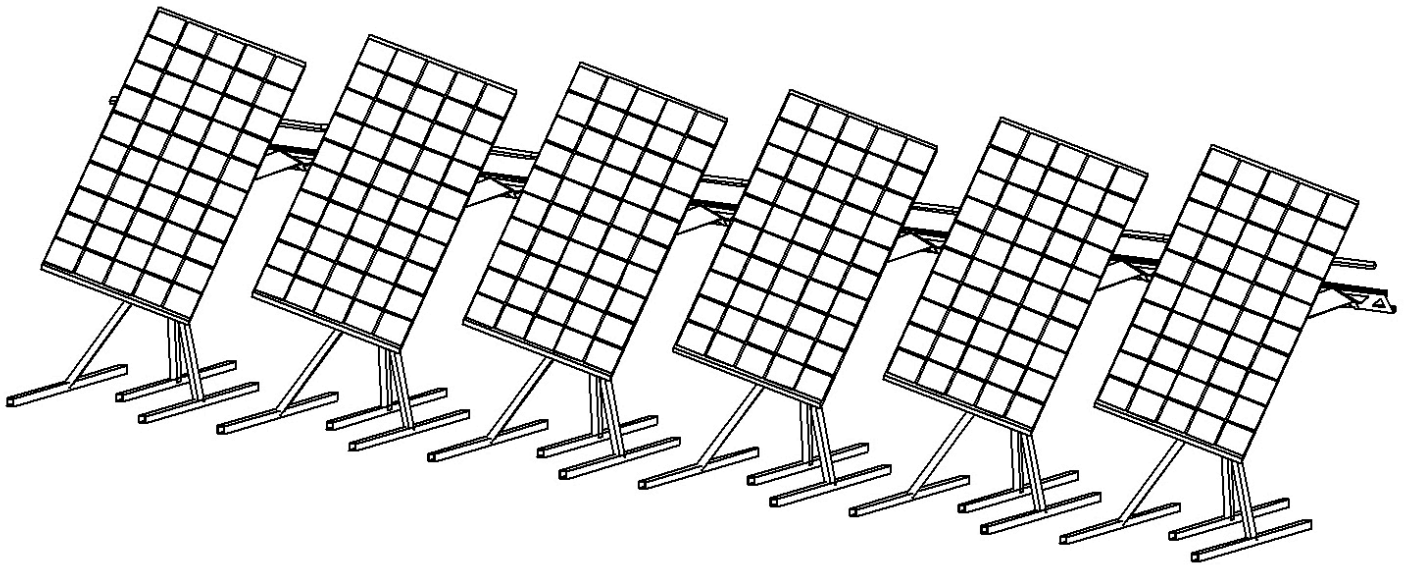


InteliTrack™ IT1500 Dual-Axis Tracker



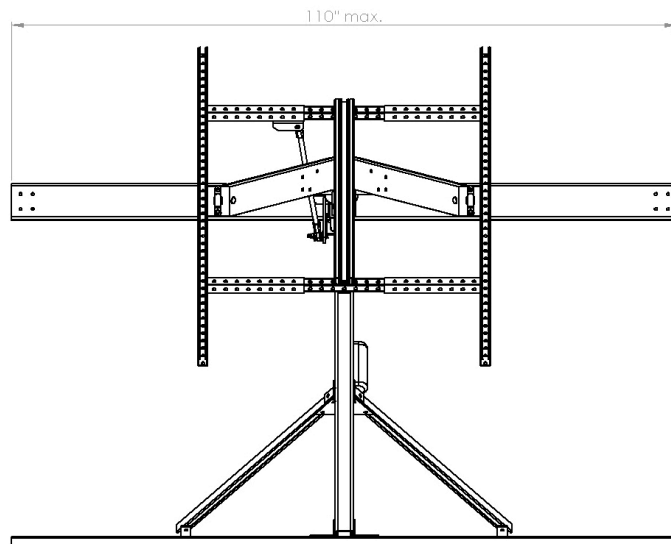
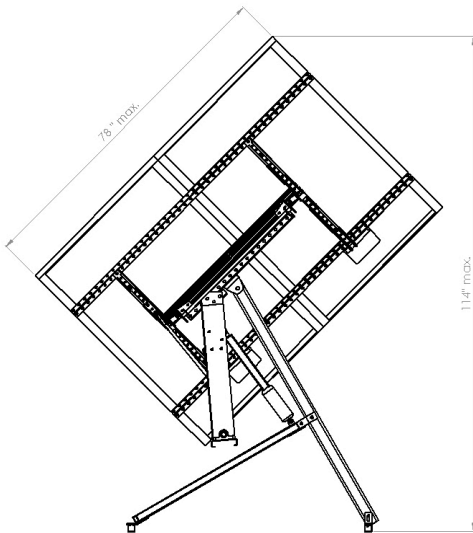
Dual-Axis Tracking for Rooftops and Parking Structures

With its lightweight design, low wind loading, and flexible footing structure, the InteliTrack IT1500 brings dual-axis tracking to rooftops, parking lot shade structures, and other applications that are load sensitive. Using Sedona Energy Labs' patent-pending *Balanced/Frame* technology, the IT1500 delivers the maximum possible power in any location.

Modular in design, the IT1500 easily adapts to odd shaped spaces and obstructions. It can be installed as a ballasted or anchored system on rooftops or easily adapts to most parking structure designs.

InteliTrack™ IT1500 Dual-Axis Tracker

Panels	Modular system – each section supports one panel of any size
Ganging	Up to 25 units driven by one set of actuators
Mounting	Ballast or penetration; Flexible footing system adapts to any situation
Rotation	Rotation: -45° to +45°; Elevation: 45° to -60°
Backtracking	Yes
Controller	Algorithmic: SEL MAXXTRAK™ or Mitsubishi Solar Controller FX
Operating Voltage	24VDC
Drive System	Linak Electric linear actuators, Elevation – 1, Rotation – 1
Bearings	Igus® polymer
Wind Protection	Optional – 2 parking modes at designated wind speed
Operating Temperature	-13° to 133° F; -25° to 55° C
Ground Coverage Ratio	45% to 50%
Warranty	10 years on frame, manufacturers' on other components



©2011 Sedona Energy Labs – Specifications subject to change